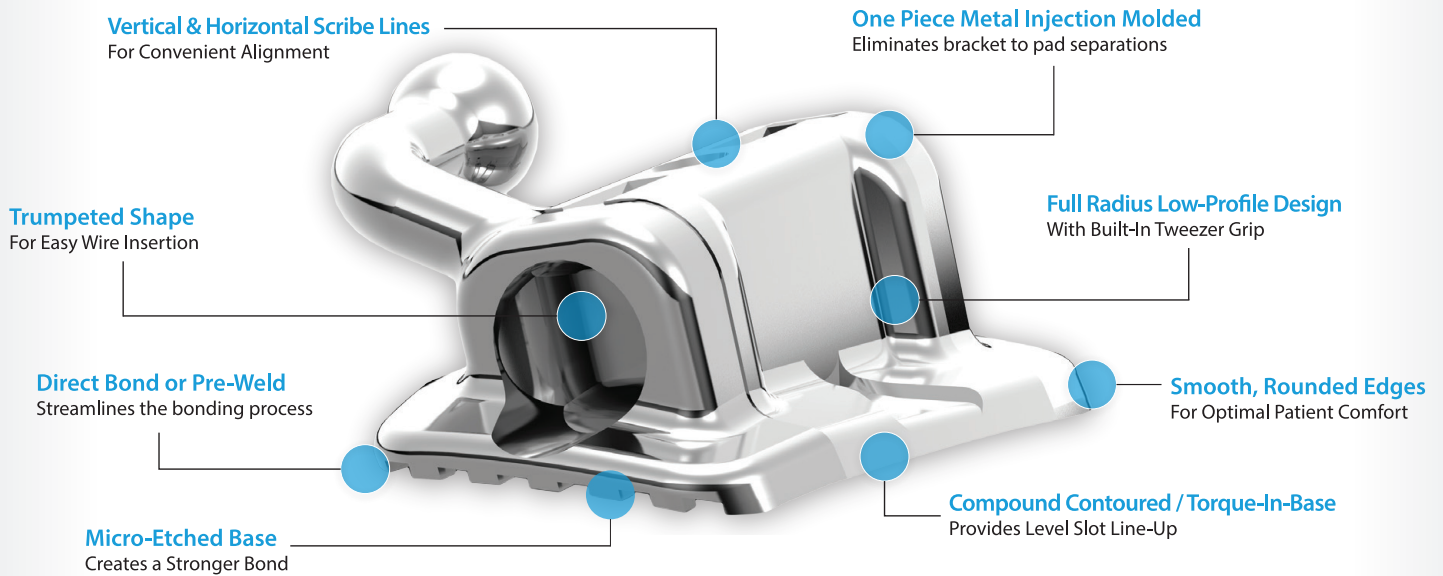


H BUCCAL TUBE

A buccal tube designed specifically for the revolutionary H4 bracket system with the same exceptional tolerances.



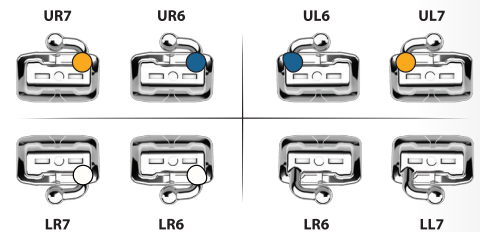
H4™ BUCCAL TUBES .022

Also Available in 7x7 H4 Cases

TORQUE	OFFSET	M/D IN MM	HOOKS	COLOR CODE	R/L	ITEM NUMBER
-22°	+9°	3.70	Gingival	●	Upper Right 6	907.2099
					Upper Left 6	907.2100
-27°	+9°	3.70	Gingival	●	Upper Right 6,7	907.2101
					Upper Left 6,7	907.2102
LOWERS						
-22°	+3°	3.70	Gingival	○	Lower Right 6,7	907.2107
					Lower Left 6,7	907.2108

H4™ BUCCAL TUBES

COLOR CODE



1300 NE Alpha Dr | McMinnville, OR 97128 | www.oc-orthodontics.com | (866) 752-0065